

Automatic Sun Tracker ASTX-1



General description

This system measures automatically and continuously the direct solar radiation from the sun, which is the basic solar radiation coming to the earth from the sun.

The system basically consists of a pyrheliometer and solar tracker.

On the solar tracker a pyrheliometer is mounted and installed outdoor.

* pyrheliometer is option.

PREDE PREDE Co., Ltd.

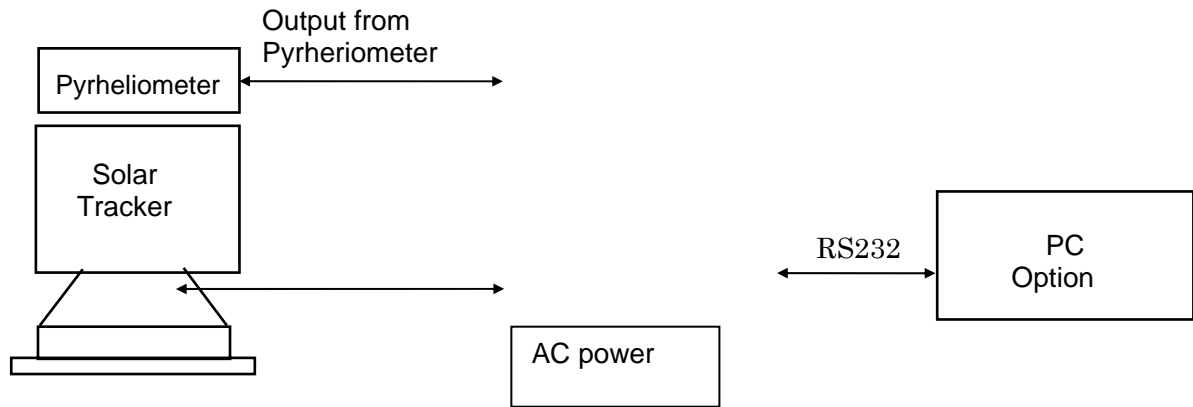
Head Office: 1117 Kusabana Akiruno-shi Tokyo 197-0802 Japan

Research Center: Sasamoto Build.26-8 Kamidaira 1chome Fussa-shi 197-0012 Japan,

TEL:+81-(0)42-539-3755 FAX:+81-(0)42-539-3757

URL: <http://www.prede.com/>

Construction



Specifications

Payload	10kg, balanced
Sensor	1 unit (Maximum 6 units, Option)
Rotation	Zenith : -30°~120° Azimuth : ±180°
Resolution	0.0036°
Accuracy	0.01°
Tracking System	Auto calculation for sun position
Sun Sensor	Compensation for small position error
Drive System	2 axis pulse motor
Controller	16bit CPU
Communications	RS232C
Cable	10m
Material	Housing : Aluminum Shaft : Stainless steel
Weight	About 27kg

Optional parts

Shading ball	: PO-38
Sensor mount	: PO-120 (for only one sensor)
Sensor mount	: PO-121 (for two sensor)