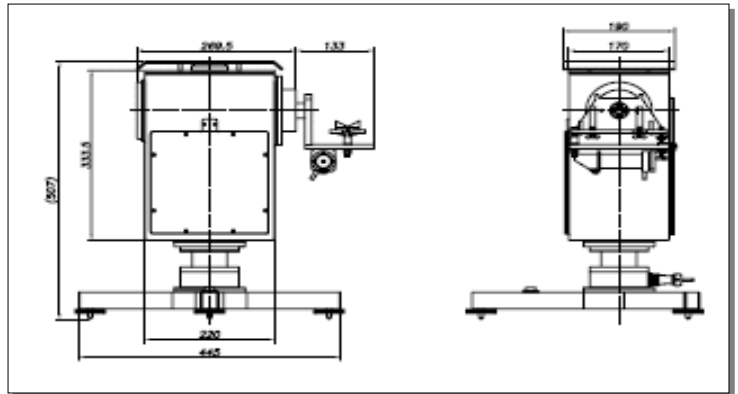


Automatic Sun Tracker ASTX-2



Features

ASTX-2 is able to be automated sun tracker combining with direct pyrheliometer or sunphotometer.

It calculates sun position and sun sensor support high position accuracy. It can make auto set (latitude, longitude and time) from GPS. All cables are set through inside and make move very smooth. You can remove tripod and install ASTX-2 on pole.

- Optional Parts:
- Double arm
 - Sun Shading ball PO-155-1
 - Heater PO-170

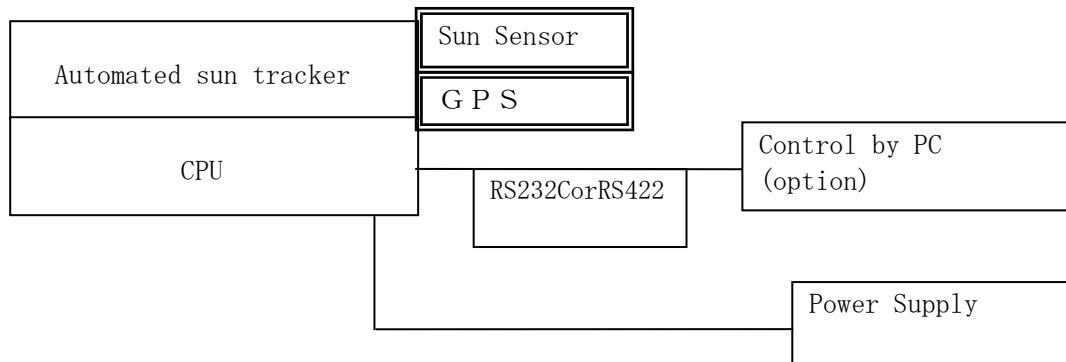
PREDE PREDE CO., LTD.

* Research Center: Sasamoto Bldg 26-8 Kamidaira 1-chome Fussa-shi 197-0012 Tokyo Japan

TEL+81-42-539-3755 FAX +81-42-539-3757

URL <http://www.prede.com/>

System



Specification

Payload	Less than 10kg, balanced
Sensor	1 unit (Maximum 6units, Optional)
Rotation	Zenith: $-30^{\circ} \sim 120^{\circ}$ (0° = Zenith, += S, -= N) Azimuth: $\pm 180^{\circ}$ (0° = S, += E, -= W)
Resolution	0.00225°
Accuracy	0.01°
Tracking System	Auto calculation for sun position
Sun Sensor	Compensation for small position error
Drive System	2 axis pulse motor
Setting (with GPS)	Selfsetting of latitude, longitude and time
Controller	16bit CPU
Power Consumption	120W (100V/1.2A)
Power Supply	AC100V-200V 2A50/60HZ
Communications	RS232C
Cable	20m
Material	Housing : Aluminum Shaft : Stainless steel
Weight	About 20kg