

I / V TESTER

PIV-2000



Features

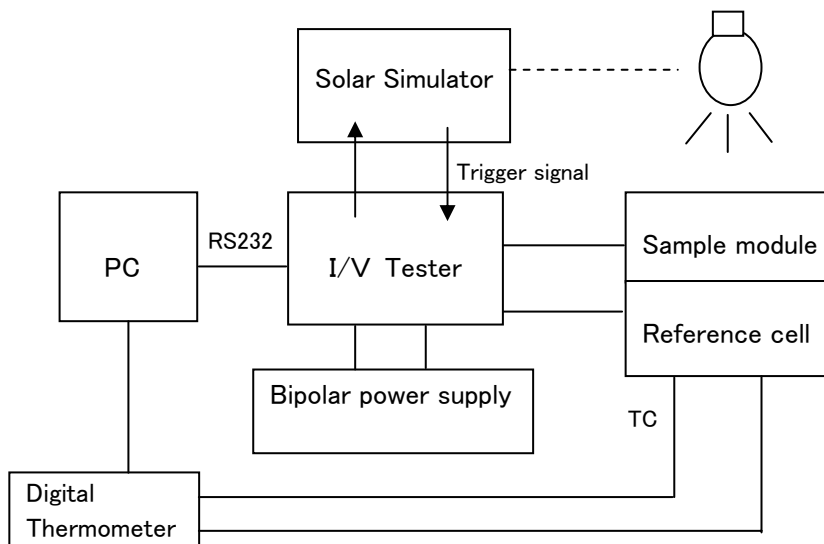
- Accuracy $\pm 0.2\%$
- Fast sampling 100 μ sec/point
- Maximum 1000point
- Sample Current / Voltage, Reference Current / Voltage

Out Line

PIV-2000 can measure I-V curve of module from trigger signal of solar simulator. This equipment also can measure only short circuit current (Isc) continuously.

System constructions

Signal from I-V tester make solar simulator emit toward solar module (sample module). I-V tester can measure the output of solar module with bipolar power supply and find the maximum output (Pmax).



PREDE PREDE Co., Ltd.

Head Office: 1117 Kusabana Akiruno-shi Tokyo 197-0802 Japan

*Research Center: Sasamoto Build.26-8 Kamidaira 1chome Fussa-shi Tokyo 197-0012 Japan,

TEL:+81-(0)42-539-3755 FAX:+81-(0)42-539-3757

URL: <http://www.prede.com/>

Specifications

Measurement of I-V property

With stepped Voltage of bipolar power supply, PIV-2000 can measure both sample current/voltage and reference current/voltage synchronized.

Performance

| 項目 | 内容 | 備考 |
|---|---|------------------------------------|
| Measurement target Measurement range | Sample current FS 2mA, 5mA, 10mA, 20mA, 50mA, 100mA, 200mA, 500mA, 1A, 2A, 5A, 10A, 20A, Sample voltage FS: 0. 2V, 0. 5V, 1V, 2V, 5V, 10V, 20V, 50V, 100V, 200V, 500V Reference current FS: 10mA, 20mA, 50mA, 100mA, 500mA Reference voltage FS: 1V | |
| Accuracy | ±0. 2% (*1) Environment : Temperature 23°C±3°C、Humidity < 50% | |
| Resolution | 16bit | |
| Average times | 32回 (measurement cycle 100us) 64回 (measurement cycle 150us) | Proportion to measurement interval |
| Measurement interval (*2) | 100us/point (target 40us/point) (Short pulse type) 250us/point~10ms/point (Long pulse type) | |
| Number of measurement points (*2) | 30~1000point | |

*1 Measurement accuracy is based on percentage of the standard deviation by the average of 100 point values (range).

*2 Please mention not to exceed the measurement cycle and the number of points of the lamp source stability.

Measurement range

Simple select measurement range automatic or manual on the software.

