

# Grating type Spectroradiometer

PGP-200

PREDE



## General

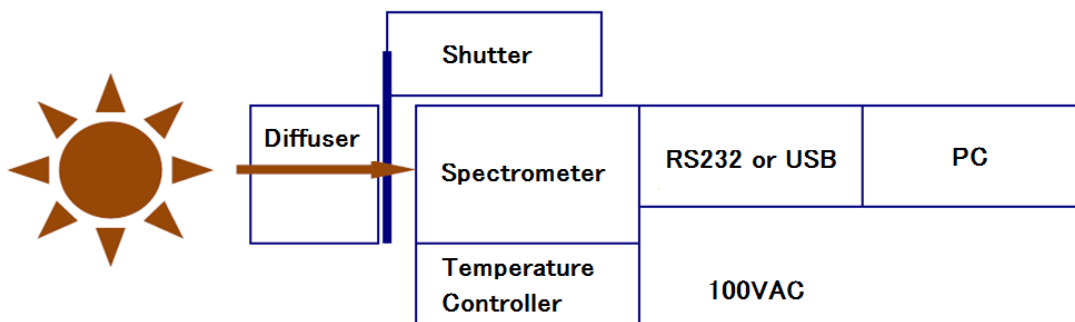
PGP-200 is a next generation pyranometer, adapted with spectrometer system for the observation of the sun with 20 specific wavelengths.

Sensor is covered with the water ingress protected cover for the continuous outdoor observation.

Data can be stored to the PC via RS232 or USB.

## Measurement Display

## System Diagram



**PREDE** Prede Co., Ltd.

Head Office: 1117 Akiruno-shi, Kusabana, Tokyo 197-0802 Japan.

R&D Sasamoto Bldg. 1-26-8 Kamidaira, Fussa-shi, Tokyo 197-0012 Japan

TEL042-539-3755 FAX042-539-3757

URL: <http://www.prede.com/> E-mail: [sales@prede.com](mailto:sales@prede.com)

Specification	
Wavelength range	300–1100nm
View angle	180 deg.
Slit	200 $\mu$ m
Detector	Si-CCD
Component count	2048 pixel
Exposure time	>1ms
Precision of wavelength	1nm
Wavelength resolution	6nm (Half width)
AD Converter	16 bit
PC Interface	RS232C or USB
Cable (Sensor and control box)	3m
Cable (Communication)	20m
Cable (Power)	20m
<b>OPTION</b>	
Collimation tube	
Sun tracker ASTX-2	



Wavelength setting screen

- Fully automated observation
- All weather type
- Internal temperature control
- Operating environment: Windows (7, 8)
- Configuration of software
  - Time to start the observation
  - Time to stop the observation
  - Measurement period
  - Daily observation results can be stored
  - Measurement data could be retrieved from 20 wavelengths.
  - Measurement of all wavelengths (within measurable range) is also available.

