

# Skyradiometer POM-01 MK-III

*PREDE CO.,LTD.*



POM-01 MK-III Skyradiometer measures circumsolar radiation and spectrum intensity of the direct solar radiation for the research of the size distribution and concentration of the aerosols. Sensor part is loaded on the sun tracker, and it automatically follows the direction of the sun by the sun sensor.

Measured data are stored to the PC after the process by the micro processor.

This system is specially designed for the observation on the ship. With the mounted pyranometer, and built-in servo motor, POM-01 MK-III always capture the position of the sun, regardless the direction of the ship.

**PREDE**

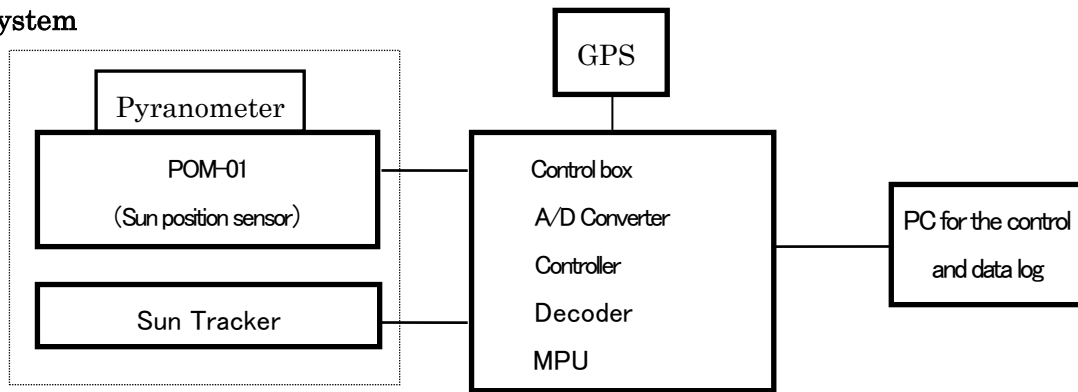
Prede Co., Ltd.

Sasamoto Bldg. 1-26-8 Kamidaira, Fussa-shi, Tokyo 197-0012 Japan

TEL042-539-3755 FAX042-539-3757

URL: <http://www.prede.com/> E-mail: [sales@prede.com](mailto:sales@prede.com)

☆ **System**



☆ **Specification**

Half field of view	0.5°
Minimum scattering	3°
Wave lengths	315, 400, 500, 675, 870, 940, 1020 nm
Wave lengths selection	Filter wheel method
Detector	Silicon photodiode
Motor	Pulse motor drive type
Operative angle	±310° Azimuth
	-20° ~ ±150° Zenith
Sun position sensor	4 element Si sensor / Pyranometer
Position sensor	GPS / Tilt sensor
Communication	RS-422
Temperature control	40°C
Cable length	20m (Standard)
Power	100 to 240 VAC / 2A
Weight	Skyradiometer / Approx. 16kg
	Control box / Approx. 7kg
	Cables / Approx. 5kg